

DTSY523 Three-phase Electronic Pre-paid Watt-hours Meter

Application

The series, consisting of series DSSY523 three-phase & three-wire type and series DTSY523 three-phase & four-wire type, is developed on the base of excellent three-phase watt-hours meter to has such function as power metering, load control and customer information management, which can conquer the dilemma that the customer delays paying. And it is also an ideal product to prevent overcapacity consumption and power theft to effectively control and adjust electric load.

Main function & characteristic

1. Fitted with all the functions of electronic three-phase watt-hours meter.
2. Setting for customer-order capacity, max. load limitation and alarm
3. Alarm for residual power, Alarm cut-off for overload and OKWh cut-off control.
4. Common use of a set of pre-paid power selling system by single- & three-phase pre-paid watt-hours meter.
5. Network telecommunication function.
6. Photoelectric couple test output terminal.

Main technical data

1. Suitable standard: All the indexes comply with the technological specifications aiming to the three-phase pre-paid watt-hours meter in the standard of JB/T8382-1996.

2. Specification & main technological parameter

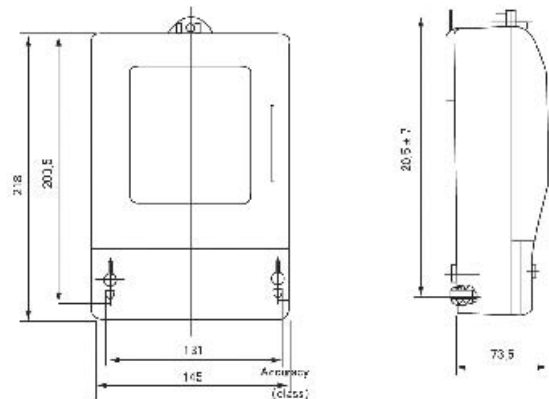
Type	Accuracy (class)	Reference voltage(V)	Basic current Ib(A)	Reference frequency(Hz)
DSSY523	1.0	3 x 100 3 x 380 3 x 415	3 x 1.5(6) 3 x 3(6) 3 x 10(40) 3 x 15(60) 3 x 5(30) 3 x 10(60)	50~60
DSSY523	2.0			
DTSY523	1.0	3 x 220/380 3 x 240/415		
DTSY523	2.0			



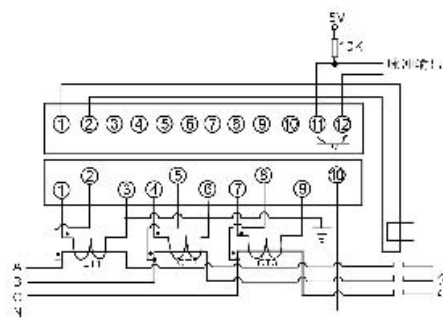
DTSY523



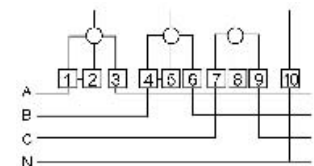
Outer and mount dimension



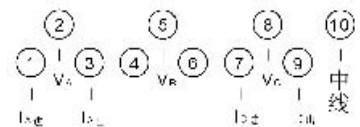
Wiring diagram



three phase four wire induction type



three phase four wire direction type



three phase four wire